



BUZZ

2024 Product Catalog



At Buzz Bicycles, we believe in the freedom to ride for everyone. Our high-quality, affordable e-bikes make every outdoor adventure possible, inspiring you to explore more and create Buzzworthy moments.

#BuzzThroughLife



BUZZ Product Overview

- 48V Batteries
- 500W Rear and Mid Drive Motors
- Class 2 (20mph max assist)
- Center Mount LCD Display (select models)
- Dropper Seat Posts (where applicable)
- Suspension Forks (select models)
- Adjustable HB Stems
- UL 2849 Compliance



BUZZ

Centris

Model # E4321

UPC# 0 28914 04321 0

- 48V / 10.4ah / 500watt hour Battery
- 500WRear Hub Motor
- 20mph Max Speed
- Class 2 with Throttle
- LCD Display
- 5 Level Power Assist
- UL 2849 Compliant
- Front and Rear Lights
- Alloy Folding Frame
- 20"x4" Wheels
- 6-Speed Shimano Shifting
- Front / Rear Racks



BUZZ

Centris

Model # E4311

UPC# 0 28914 04311 1

- 48V / 10.4ah / 500watt hour Battery
- 500WRear Hub Motor
- 20mph Max Speed
- Class 2 with Throttle
- LCD Display
- 5 Level Power Assist
- UL 2849 Compliant
- Front and Rear Headlights
- Alloy Folding Frame
- 20"x4" Wheels
- 6-Speed Shimano Shifting
- Front / Rear Racks



BUZZ

Cerana 2

Model # E4823

UPC# 0 28914 04823 9

- 48V / 10.4ah / 500watt hour Battery
- 500W Rear Hub Motor
- 20 MPH Max Speed
- Class 2 with Throttle
- Center Mount LCD Display
- 5 Level Power Assist
- UL 2849 Compliant
- Alloy Step Through Frame
- 24"x2.5" Tires
- 7-Speed Shimano Shifting
- Suspension Fork
- Dropper Seat Post
- Adjustable HB Stem
- Front / Rear Rack



BUZZ

Cerana 2

Model # E4823

UPC# 0 28914 04823 9

- 48V / 10.4ah / 500watt hour Battery
- 500W Rear Hub Motor
- 20 MPH Max Speed
- Class 2 with Throttle
- Center Mount LCD Display
- 5 Level Power Assist
- UL 2849 Compliant
- Alloy Step Through Frame
- 24"x2.5" Tires
- 7-Speed Shimano Shifting
- Suspension Fork
- Dropper Seat Post
- Adjustable HB Stem
- Front / Rear Rack



BUZZ

Cerana T

Model # E4019

UPC# 0 28914 04019 6

- 36V / 10.4ah / 350watt hour Battery
- 350W Mid Drive Motor
- 20 MPH Max Speed
- Class 1
- LCD Display
- 4 Level Power Assist
- UL 2849 Compliant
- Front Headlight
- Alloy Trike Frame
- 24"x3" Front, 20"x2.25" Rear Tires
- 6-Speed Shimano Shifting
- Front Rack / Rear Basket



BUZZ

Cerana T 2.0

Model # E4004

UPC# 0 28914 04004 4

- 48V / 10.4ah / 500watt hour Battery
- 500W Mid Drive Motor
- 20MPH Max Speed
- Class 2 with Throttle
- Center Mount LCD Display
- 5 Level Power Assist
- UL 2849 Compliant
- Alloy Trike Frame
- 24"x3" Front, 20"x3" Rear Tires
- 7-Speed Shimano Shifting
- Dropper Seat Post
- Adjustable HB Stem
- Front Rack / Rear Basket

***Coming Fall 2024**



BUZZ

Beekeeper

Model # E4023

UPC# 0 28914 04023 3

- 48V / 10.4ah / 500watt hour Battery
- 500W Rear Hub Motor
- 20 MPH Max Speed
- Class 2 with Throttle
- Center Mount LCD Display
- 5 Level Power Assist
- UL 2849 Compliant
- Alloy Cargo Frame
- 24"x3" Front, 20"x3" Rear Tires
- 7-Speed Shimano Shifting
- Holds Two Child Carriers
- Dropper Seat Post
- Adjustable HB Stem
- Front Rack

***Coming Fall 2024**



BUZZ

Drone

Model # E4394

UPC# 0 28914 04394 4

- 48V / 10.4ah / 500watt hour Battery
- 500W Rear Hub Motor
- 20 MPH Max Speed
- Class 2 with Throttle
- Center Mount LCD Display
- 5 Level Power Assist
- UL 2849 Compliant
- Front Headlight
- Alloy Step Through "Moto" Frame
- 20"x4" tires
- 6-Speed Shimano Shifting
- Frame Bag

***Coming Fall 2024**



Accessorize Your Ride



BUZZ

E-Bike Cover (Standard)

Model # 01307XX

UPC# 0 32447 01307 7

- 70.86" L x 24.80" W x 42.12" H
- Rain Proof
- Anti UV
- Compatible with Cerana2, Drone, & Centris



BUZZ

E-Bike Cover (Oversized)

Model # 01308XX

UPC# 0 32447 01308 4

- 82.61" L x 23.62" W x 42.12" H
- Rain Proof
- Anti UV
- Compatible with All Models



BUZZ

Cerana & Cerana T Lock-On Grips

Model # 01309GP

UPC# 0 3244701309 1

- Ergonomic Shape
- Textured Non-Slip Surface
- Easy Attach Grip End Caps
- Compatible with Cerana2, Cerana T



BUZZ

Centris Lock-On Grips

Model # 01305GP

UPC# 0 32447 01305 3

- Ergonomic Shape
- Textured Non-Slip Surface
- Easy Attach Grip End Caps
- Compatible with Centris



BUZZ

Rear View Mirror Set

Model # 01306XX

UPC# 0 32447 01306 0

- Mirror Dims: 5.62" L x 1" W x 3.5" H
- Grip End Attachment Hardware Included
- 360 Degree Rotation
- Compatible with All Models

*Compatibility with Centris Requires Centris Lock-On Grips



BUZZ Cooler

Model # 01302CL

UPC# 0 32447 01302 2

- Heavy Duty Leak-Proof Zipper
- Holds Ice for 48 Hours
- Includes Should Strap and Bottle Opener
- Compatible with Centris, Cerana 2, Cerana T, and Beekeeper



BUZZ

Rear Rack Bin

Model # 01303XX

UPC# 0 32447 01303 9

- Tool-Free Attachment
- Collapsible
- Waterproof Material
- Compatible with Centris, Cerana 2, Cerana T, & Beekeeper



BUZZ

Front/Rear Rack Bin

Model # 01301XX

UPC# 0 32447 01301 5

- Tool-Free Attachment
- Collapsible
- Waterproof Material
- Compatible with Centris, Cerana 2, Cerana T, & Beekeeper



BUZZ

Cargo Rear Rack Carrier and Pannier Bag

Model # 01300XX

UPC# 0 32447 01300 8

- Waterproof Material
- Rigid Sides
- Collapsible
- Three Release Buckels
- Compatible with Beekeeper & Cerana T



BUZZ

Rear Rack Pannier Bag

Model# 01299XX

UPC# 0 32447 01299 5

- Waterproof Material
- Adjustable Straps
- Rear Side Support Board
- Compatible with Centris & Cerana

2



BUZZ

Rear Rack Bag with Dual-Sided Pannier

Model # 01298XX

UPC# 0 32447 01298 8

- Water Resistant
- Unzips to Enable Folding Panniers
- Integrated Bad for Shock Reduction
- Compatible with Centris & Cerana 2



BUZZ

Elastic Straps, Set of 3

Model # 01297XX

UPC# 0 32447 01297 8

- Metal Hooks
- Adjustable
- Clips on to Front and rear Rack
- Compatible with All Models

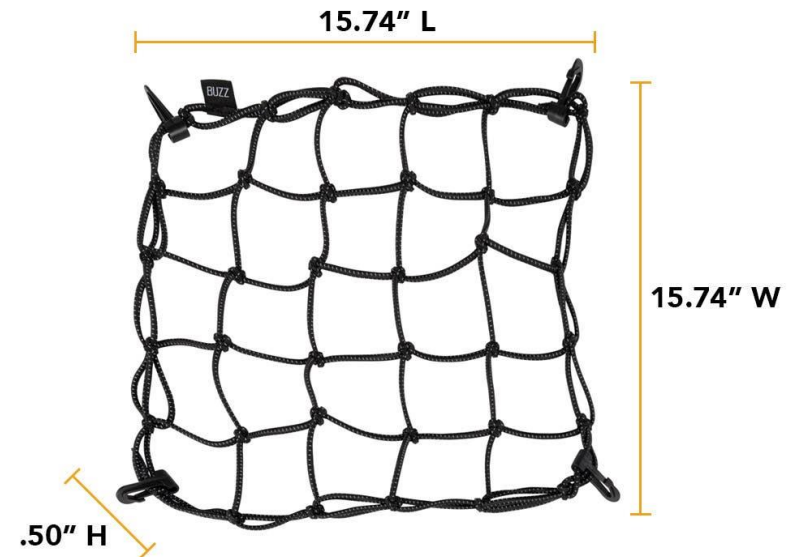
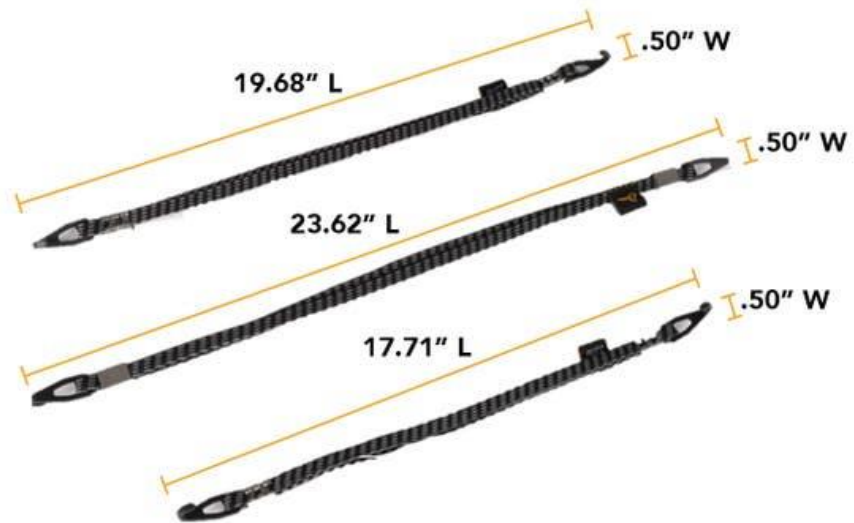
BUZZ

Cargo Net

Model # 01296XX

UPC# 0 32447 01296 4

- 4.4mm Bungees
- Four ABS Plastic Hooks
- Clips on to Front and Rear Racks
- Compatible with All Models



BUZZ

Rechargeable Bell and Anti-Theft Alarm

Model # 01295BL

UPC# 0 32447 01295 7

- Charge Lasts 20-30 Days
- Three Levels of Volume Control
- Anti-Theft Alarm Function
- Compatible with All Models

